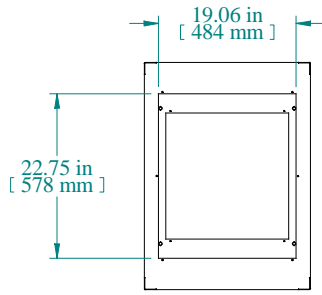
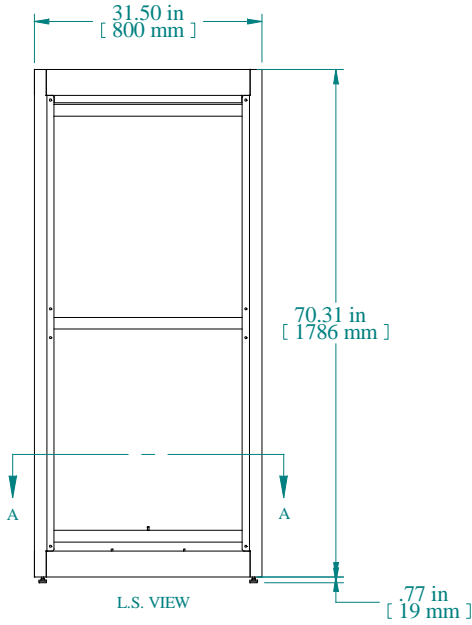


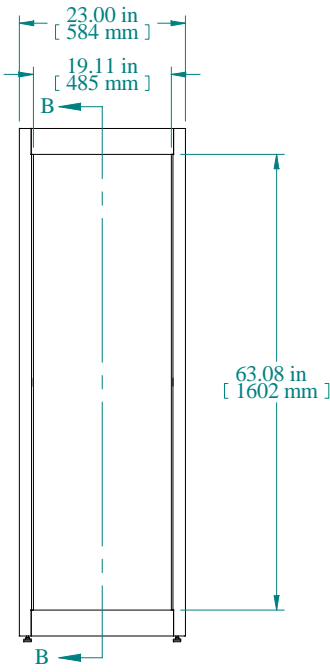
SECTION A-A



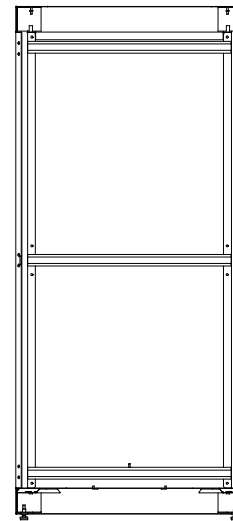
TOP VIEW



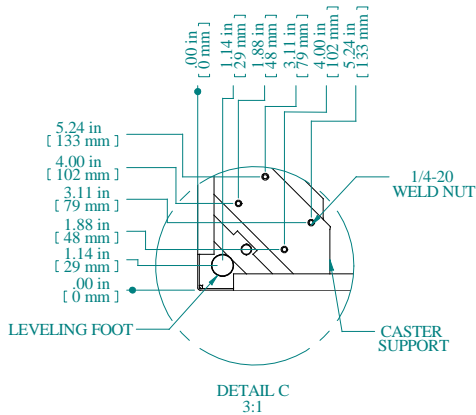
L.S. VIEW



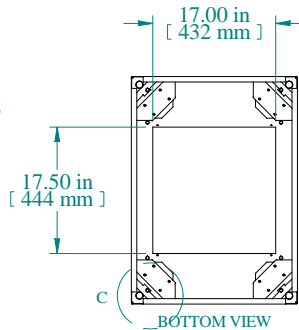
FRONT VIEW



SECTION B-B



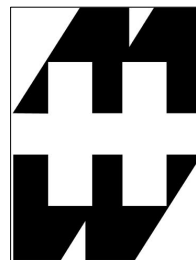
DETAIL C  
3:1



BOTTOM VIEW

| PART NUMBERS                              |                             |
|---|-----------------------------|
| C2F196331BK1                              | PAINTED BLACK TEXTURED      |
| C2F196331CG1                              | PAINTED CONT. GRAY TEXTURED |
| C2F196331LG1                              | PAINTED RAL7035 TEXTURED    |
| NOTES                                     |                             |
| Welded Assembly                           |                             |
| See Hammond Website for Frame Accessories |                             |

Data subject to change without notice. Isometric drawing not to scale.



**HAMMOND  
MANUFACTURING™**

www.hammondmfg.com

PART NO. C2F196331