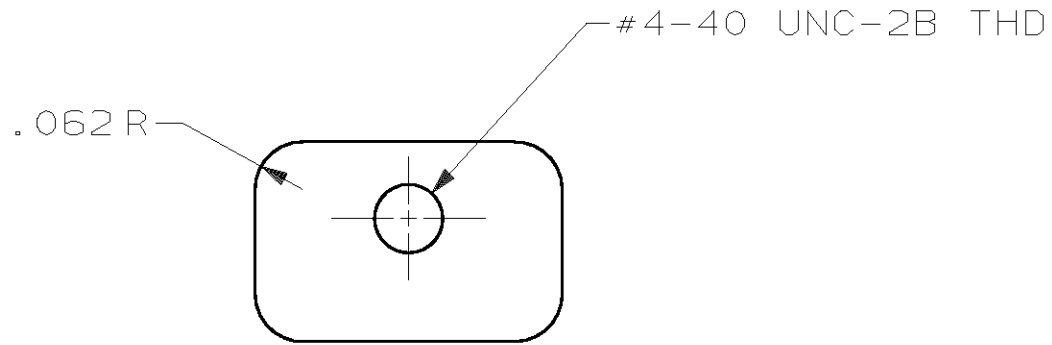
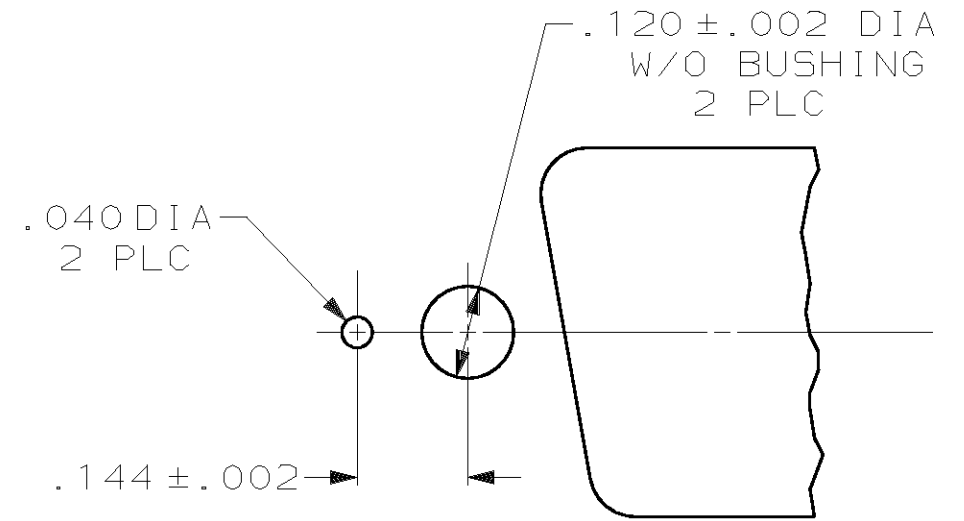
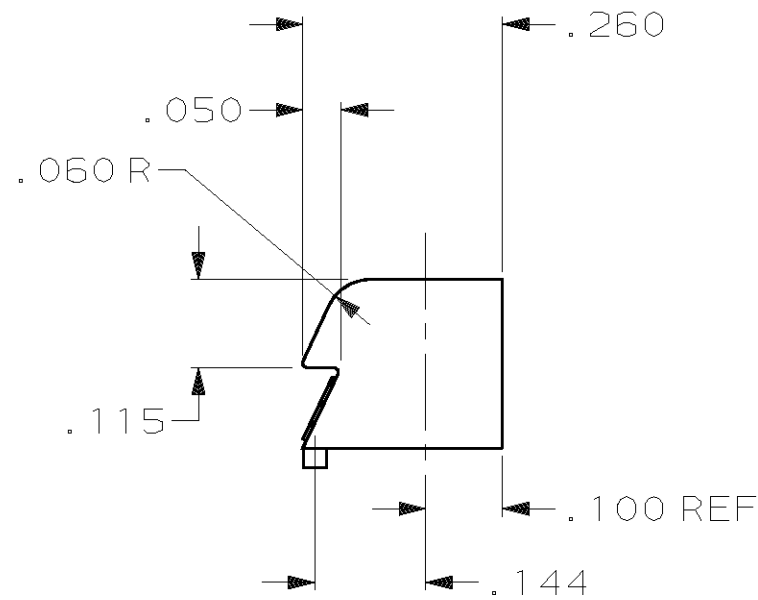
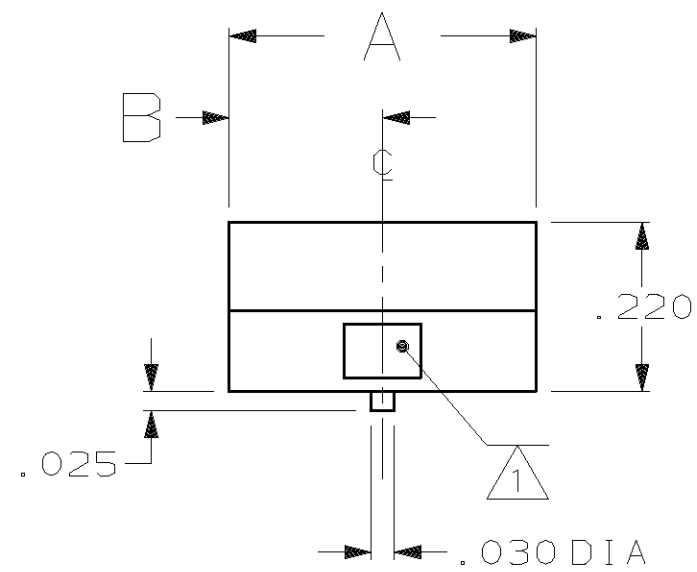


THIS DRAWING IS UNPUBLISHED. RELEASED FOR PUBLICATION, 19
 © COPYRIGHT 19 BY AMP INCORPORATED. ALL INTERNATIONAL RIGHTS RESERVED.

MOD	LOC	DIST	P	F	REVISIONS					
ZONE	LTR	DESCRIPTION	DATE	APPD						
-	GP	00			B	REDRAWN ON CAD	-	-		
					C	REV PER EC 0UE0-0002-01	11 JAN 02	JR		



1 THREAD IDENTIFICATION: 4-40



PANEL CUTOUT DETAIL
 NTS

OBSOLETE	BULK PACKAGE	2	.200	.400	747717-3
	ONE KIT PER BAG	2	.200	.400	747717-2
	PACKAGING	QUANTITY	B	A	PART NUMBER

DO NOT SCALE PRINT. UNLESS SPECIFIED DIMENSIONS IN INCHES TOLERANCES ON: 2 PLC DEC ± - 3 PLC DEC ± .005 ANGLES ± -		DR 4-10-90 J GALLUCCI BG	AMP INCORPORATED Harrisburg, Pa. 17105		
MATERIAL ZINC	FINISH -	CHK - APPD - APPD - PRODUCT SPEC - APPLICATION SPEC - WEIGHT -	NAME LATCHING BLOCK, FOR .030 PANEL, AMPLIMITE™		
		SIZE B	FSCM NO 00779	DRAWING NO 747717	
		SCALE 4:1	SHEET 1 OF 1		