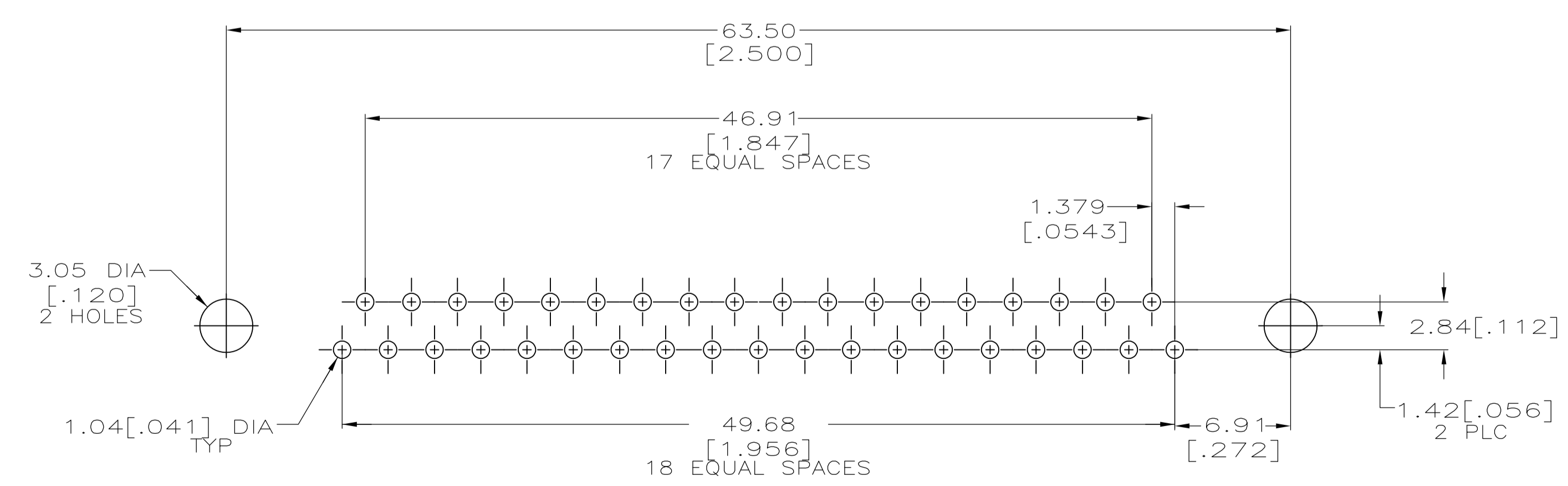
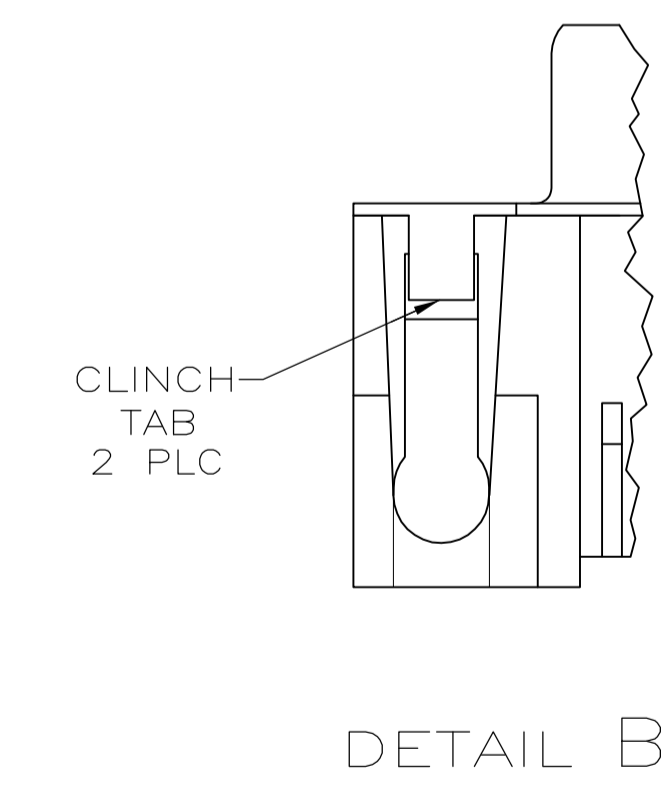
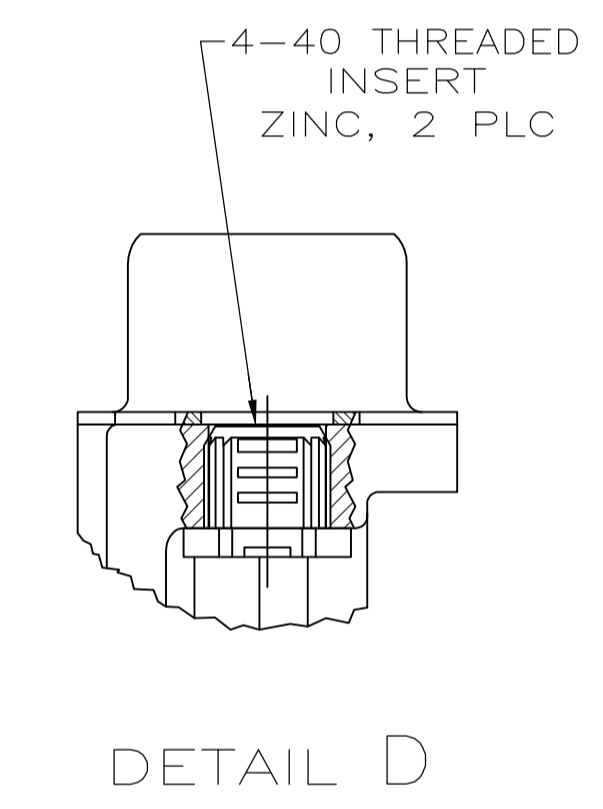
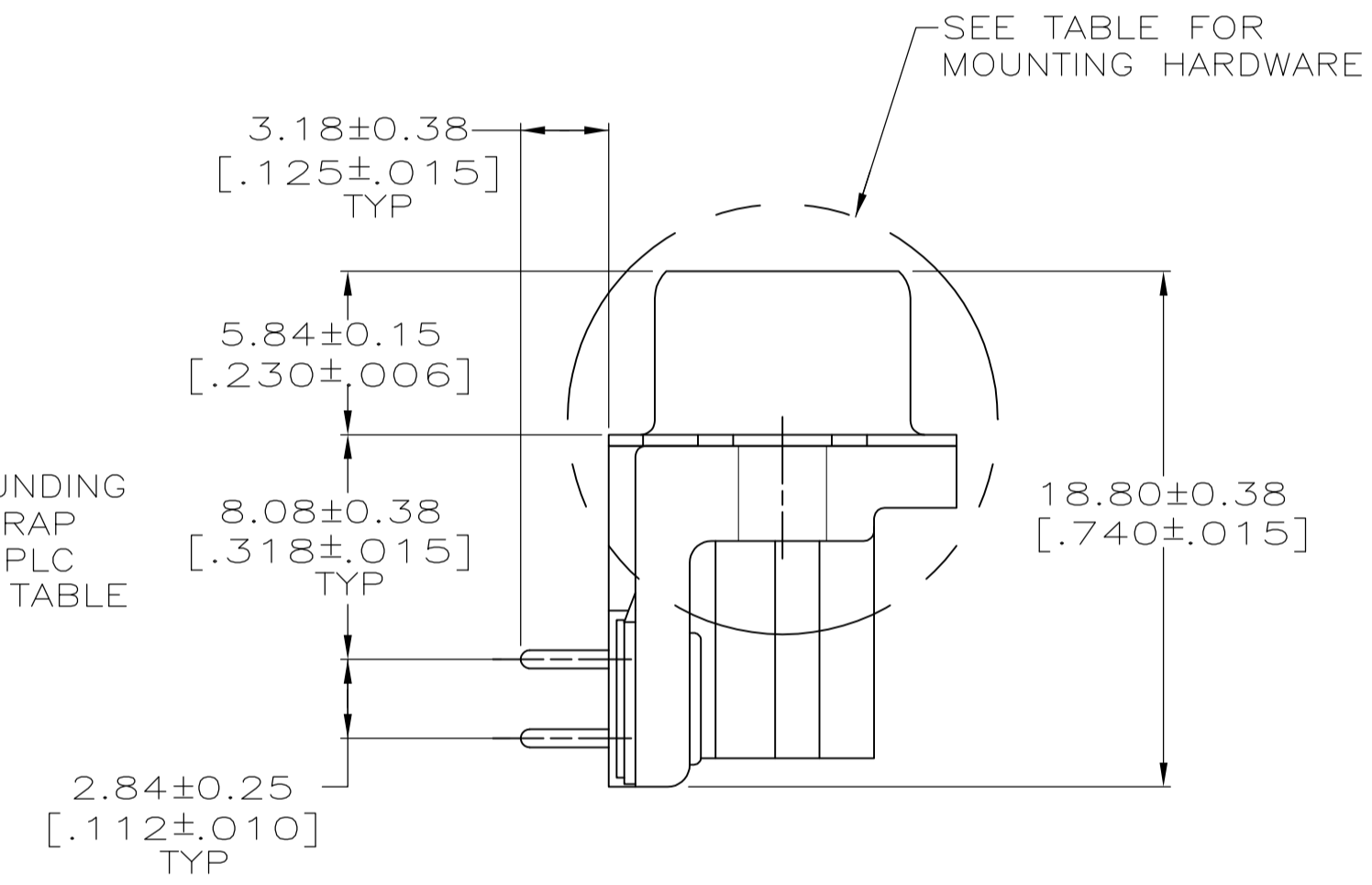
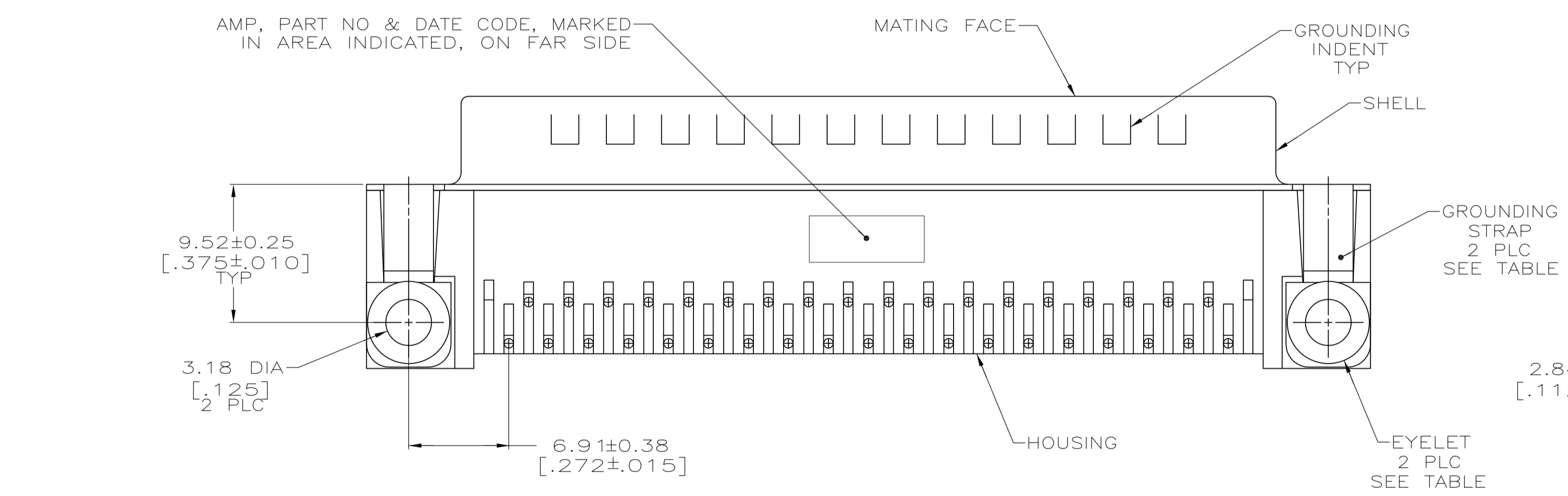
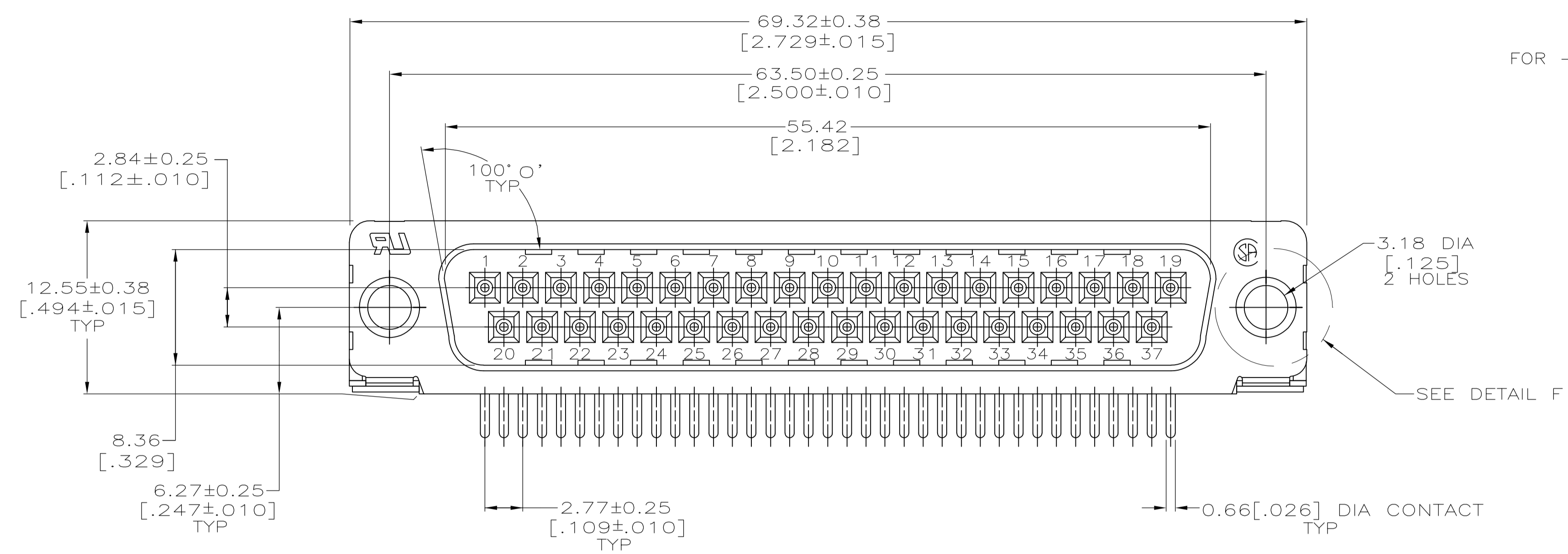


FOR -5, -6, -11 AND -12 ONLY

DETAIL F
2 PLC

- ① HOUSING: BLACK NYLON OR POLYESTER, FLAME RETARDANT, UL 94V-0 RATED, GLASS FILLED.
CONTACTS: BRASS.
SHELLS: CARBON STEEL.
EYELETS: BRASS.
- ② SHELLS: 2.54μm[.000100] MIN TIN OVER 1.27μm[.000050] MIN COPPER.
EYELETS: 5.08μm[.000200] MIN TIN OVER COPPER FLASH.
CONTACTS: SEE TABLE.
SCREWLOCK AND INSERT: CLEAR CHROMATE.
- ③ GOLD FLASH ON THE MATING SURFACES, 2.54μm[.000100] MIN TIN OR TIN-LEAD PLATE ON THE SOLDER END, 1.27μm[.000050] MIN NICKEL UNDERPLATE ON THE ENTIRE CONTACT.
- ④ 0.76μm[.000030] MIN GOLD PLATE ON THE MATING SURFACES, 2.54μm[.000100] MIN TIN OR TIN-LEAD PLATE ON THE SOLDER END, 1.27μm[.000050] MIN NICKEL UNDERPLATE ON THE ENTIRE CONTACT
-OR-
GOLD FLASH OVER PALLADIUM-NICKEL PLATE, 0.76μm[.000030] MIN TOTAL ON THE MATING SURFACES, 2.54μm[.000100] MIN TIN OR TIN-LEAD PLATE ON THE SOLDER END, 1.27μm[.000050] MIN NICKEL UNDERPLATE ON THE ENTIRE CONTACT.
- ⑤ OBSOLETE PART NUMBER.
- ⑥ SUPERSEDED BY 747252-4.
- ⑦ SUPERSEDED BY 747252-6.
- ⑧ SUPERSEDED BY 747843-6.



RECOMMENDED P.C. BOARD MOUNTING DIMENSIONS

NO SEE DETAIL B	NO	SEE DETAIL E	④	⑧	1-747252-2		
		SEE DETAIL D	④	⑧	1-747252-1		
		-	④	⑧	1-747252-0		
YES	YES	-	④	⑧	747252-9		
		SEE DETAIL E	④	⑧	747252-8		
		SEE DETAIL D	④	⑧	747252-7		
		-	④	⑧	747252-6		
		-	④	⑧	747252-5		
GROUNDING STRAPS	EYELETS	MOUNTING HARDWARE	CONTACT FINISH	PART NUMBER	④	⑧	747252-4
					④	⑧	747252-3
					④	⑧	747252-2
④	⑧	747252-1					

THIS DRAWING IS A CONTROLLED DOCUMENT. DIMENSIONING AND TOLERANCING PER ASME Y14.5M-2009.

DIMENSIONS:	TOLERANCES UNLESS OTHERWISE SPECIFIED:	DWG: W.G. LENKER 07-NOV-89	REV: R. STONE 05-FEB-90
mm [INCHES]	0 PLC ± -	APPROV: M.D. GALLOWAY 06-FEB-90	NAME:
	1 PLC ± -	APPLICATION SPEC:	108-40025
	2 PLC ± -	SIZE:	114-40010
	3 PLC ± 0.13[.005]	WEIGHT:	-
	4 PLC ± 0.25[.010]	CUSTOMER DRAWING	SCALE: 4:1 SHEET 1 OF 1 REV U

STE TE Connectivity

PLUG ASSEMBLY, SIZE 4, 37 POSITION, RIGHT ANGLE, FRONT METAL SHELL, .318 SERIES, AMPLIMITE® HD-20