



FOR USE WITH PANDUIT SURFACE RACEWAY ROUTING SYSTEM

TYPE T45 RACEWAY SYSTEM

Panduit Part Numbers: T45B, T45C, T45CC, T45OC, T45RA, T45IC, T45RLD, T45DW, T45WR, T45EC, T45HEGB, T45HEB, T45HDB, T45WC2

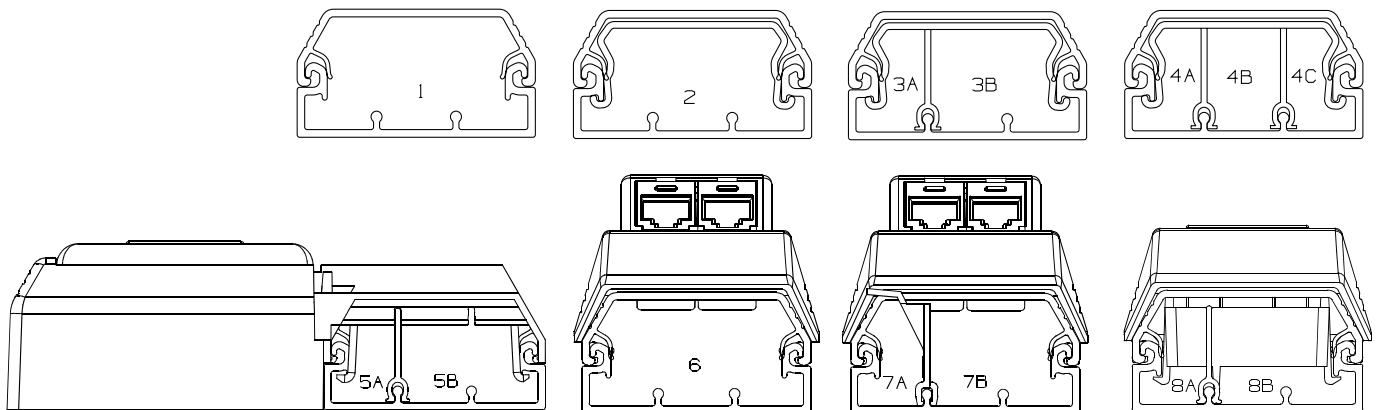
INSTALLATION INSTRUCTIONS

©Panduit Corp. 2004

Printed in U.S.A.

RACEWAY CHANNEL WIRE CONFIGURATION	FILL AREA (IN ²)	SEE FILL #	* Electrical Cables			Data Grade Cable		Coax Cable	Fiber Optic Cable
			AWG			24 AWG/UTP CM		RG6	2 Strand
			14	12	10	Cat 5 4 pr., Cat 6 4 pr.			
			THHN/T90			Dia=0.217	Dia=0.250	Dia=0.275	Dia=0.175
			Dia=0.105	Dia=0.122	Dia=0.153	SPEC (40%)	SPEC (40%)	SPEC (40%)	SPEC (40%)
MAX	MAX	MAX							
WIRE FILL #1: T45 WITH NO DEVICES	2.13	1	36	27	25	22	17	14	35
WIRE FILL #2: T45 USING WIRE RETAINER NO DEVICES	1.72	2	36	27	25	18	14	11	28
WIRE FILL #3: POWER AND DATA USING WIRE RETAINER AND DIVIDER WALL	.44	3A	12	11	8	4	3	3	7
	1.20	3B	**	**	**	12	9	8	16
WIRE FILL #4: POWER AND DATA USING WIRE RETAINER AND DIVIDER WALL	.44	4A	12	11	8	4	3	3	7
	.68	4B	**	**	**	7	5	4	11
	.44	4C	**	**	**	4	3	3	7
WIRE FILL #5: POWER AND DATA USING THE WORKSTATION OUTLET CENTER OFFSET BOX	.41	5A	12	11	8	4	3	3	6
	1.06	5B	**	**	**	11	8	7	17
WIRE FILL #6: DATA ONLY USING HINGED DATA BRACKET	2.00	6	**	**	**	21	16	13	33
WIRE FILL #7: POWER AND DATA USING HINGED DATA BRACKET WITH DIVIDER WALL INSERT	.52	7A	12	11	8	**	**	**	**
	1.20	7B	**	**	**	12	9	8	16
WIRE FILL #8: POWER AND DATA USING ELECTRICAL BRACKET AND BOX	.22	8A	9	7	4	**	**	**	**
	.50	8B	**	**	**	5	4	3	8

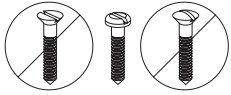
* wires not bundled



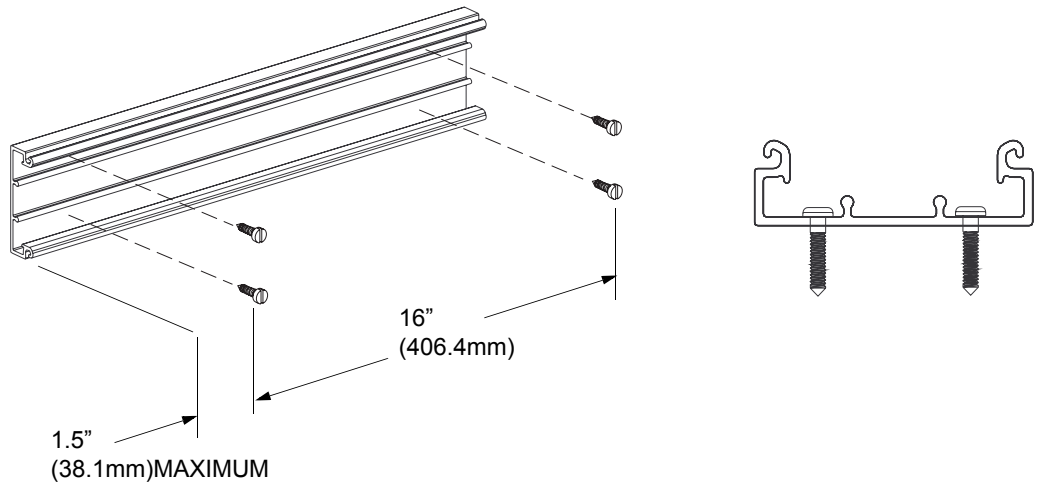
For Technical Assistance call: 866-405-6656

[Type T45 Raceway Systems] INSTALLATION INSTRUCTIONS

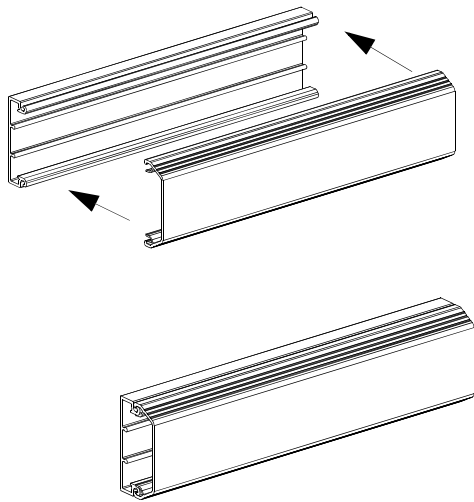
BASE & COVER



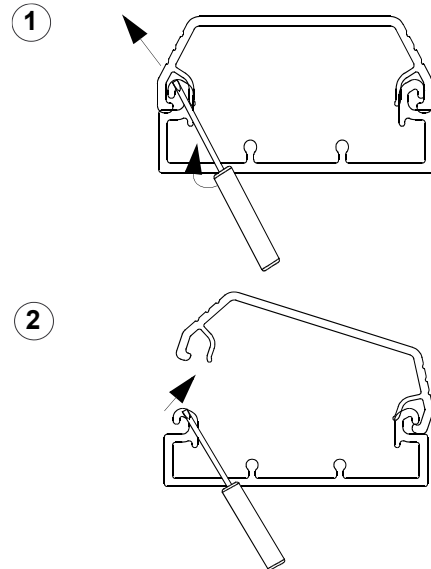
The mounting hardware used to secure the raceway shall be appropriate for the mounting surface.



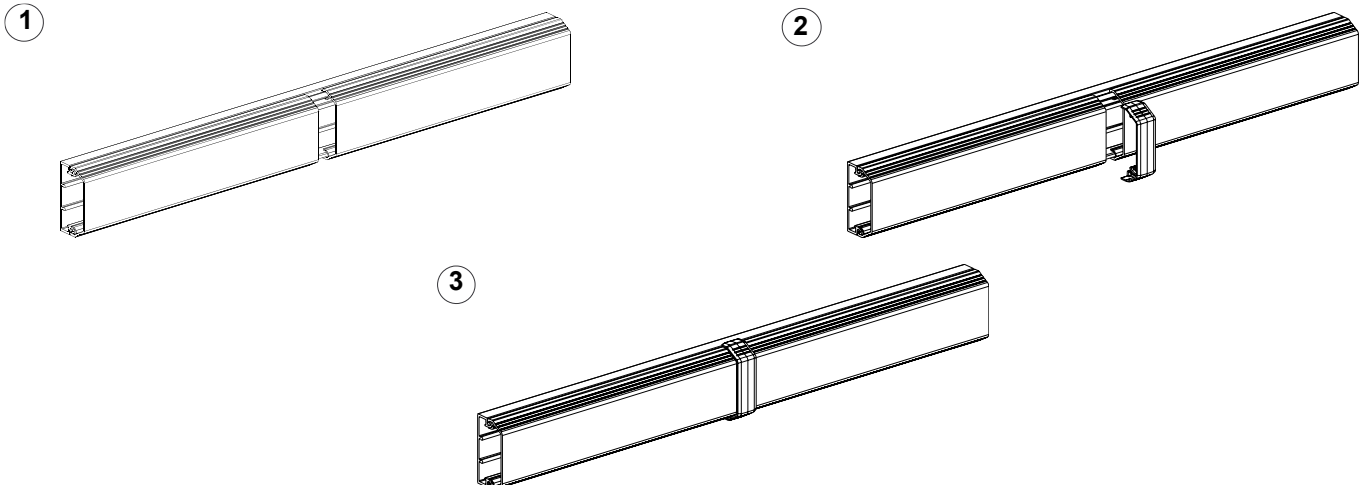
COVER INSTALLATION



COVER REMOVAL



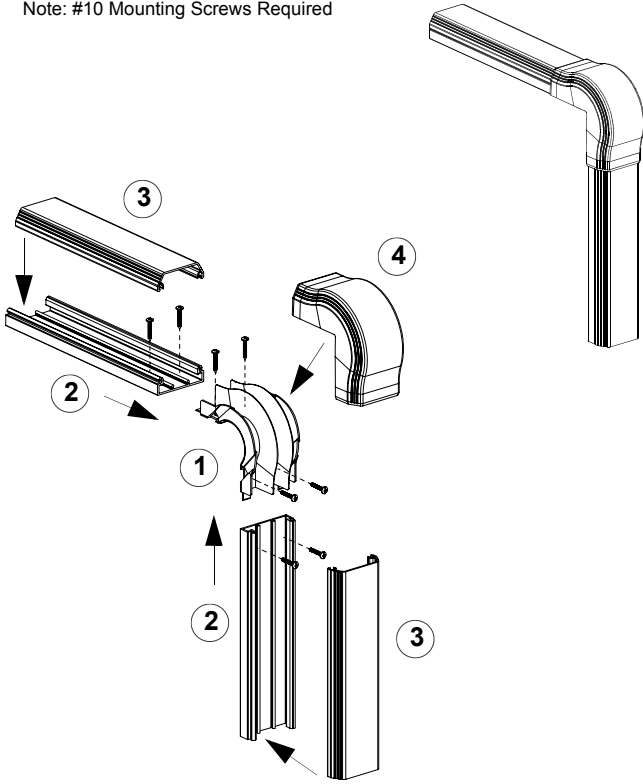
COVER COUPLER



[Type T45 Raceway Systems] INSTALLATION INSTRUCTIONS

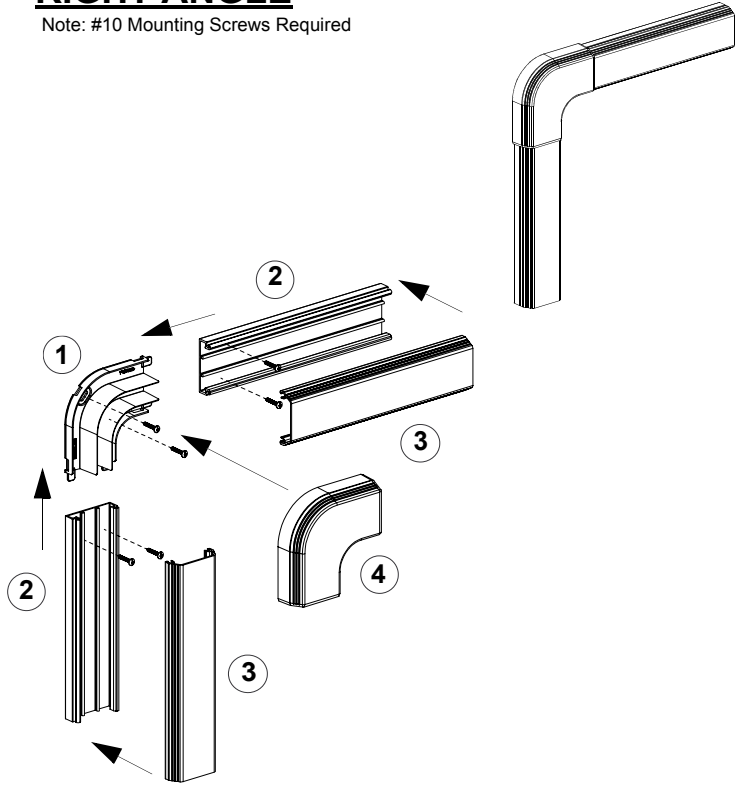
OUTSIDE CORNER

Note: #10 Mounting Screws Required



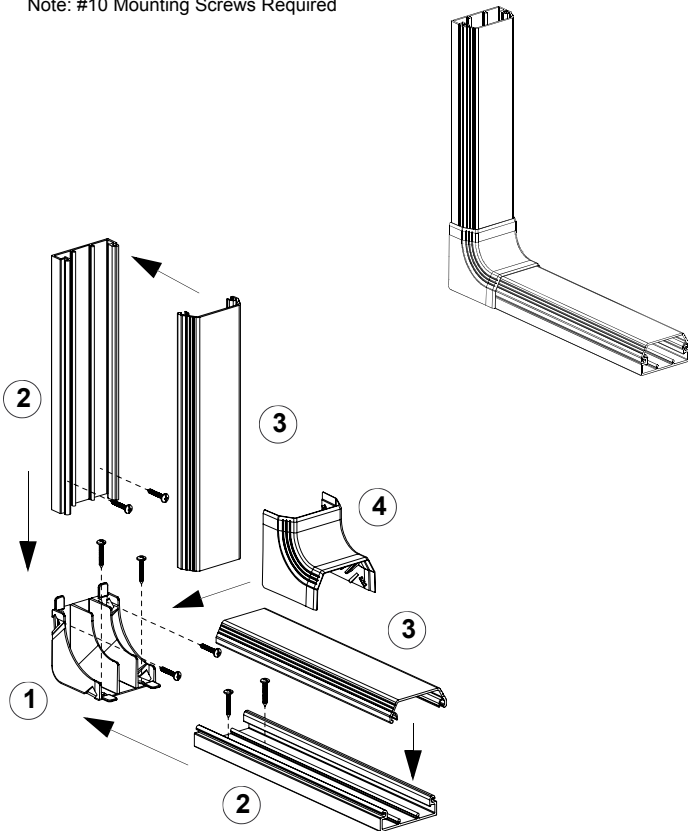
RIGHT ANGLE

Note: #10 Mounting Screws Required



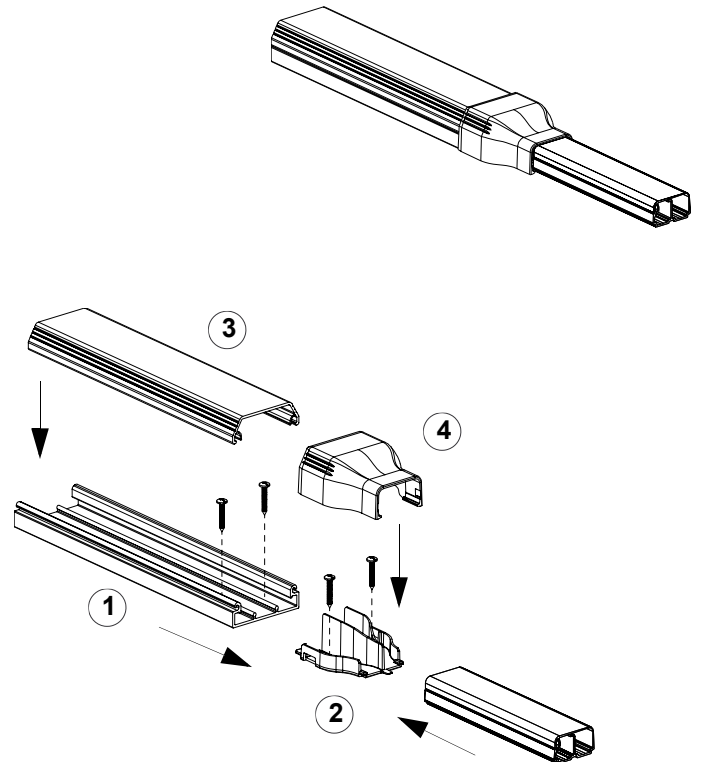
INSIDE CORNER

Note: #10 Mounting Screws Required



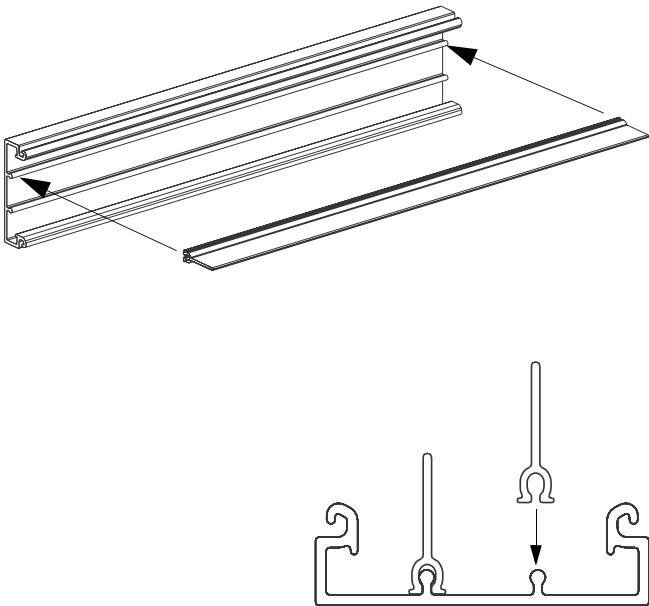
REDUCER FITTING

Note: #10 Mounting Screws Required

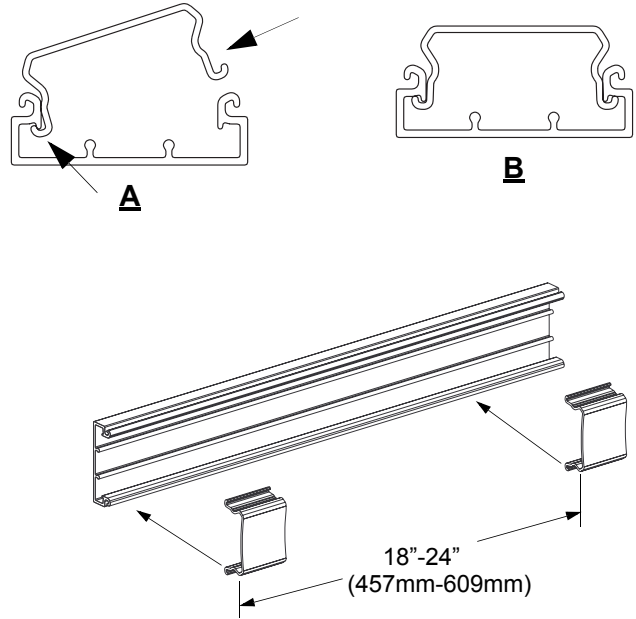


[Type T45 Raceway Systems] INSTALLATION INSTRUCTIONS

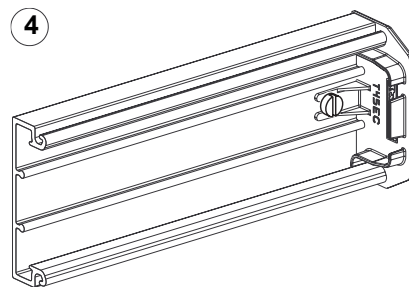
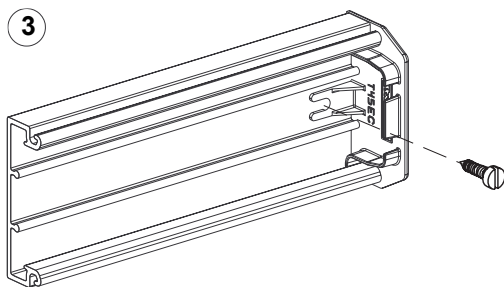
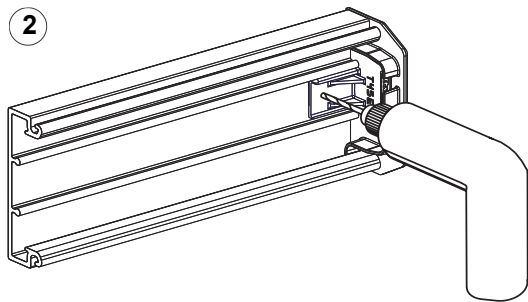
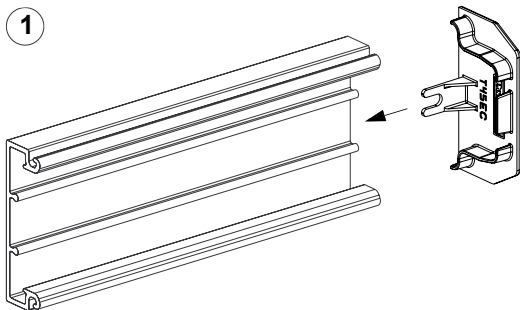
DIVIDER WALL



WIRE RETAINER



END CAP



Instruction Sheet RW64G

WORLDWIDE SUBSIDIARIES AND SALES OFFICES

17301 Ridgeland Avenue
Tinley Park, IL.60477-3091
Web Site: www.panduit.com/ncg



RACEWAY SYSTEMS DIVISION

Fax: 866-449-1702
Technical Support: 866-405-6656
Email: netconnsupport@panduit.com