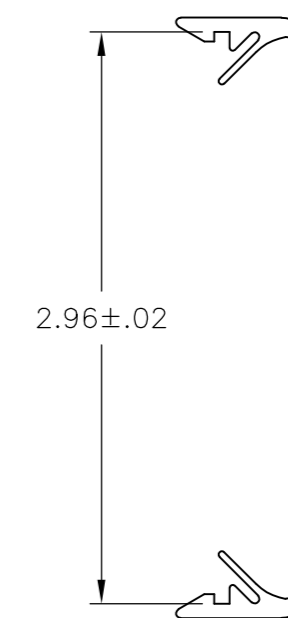
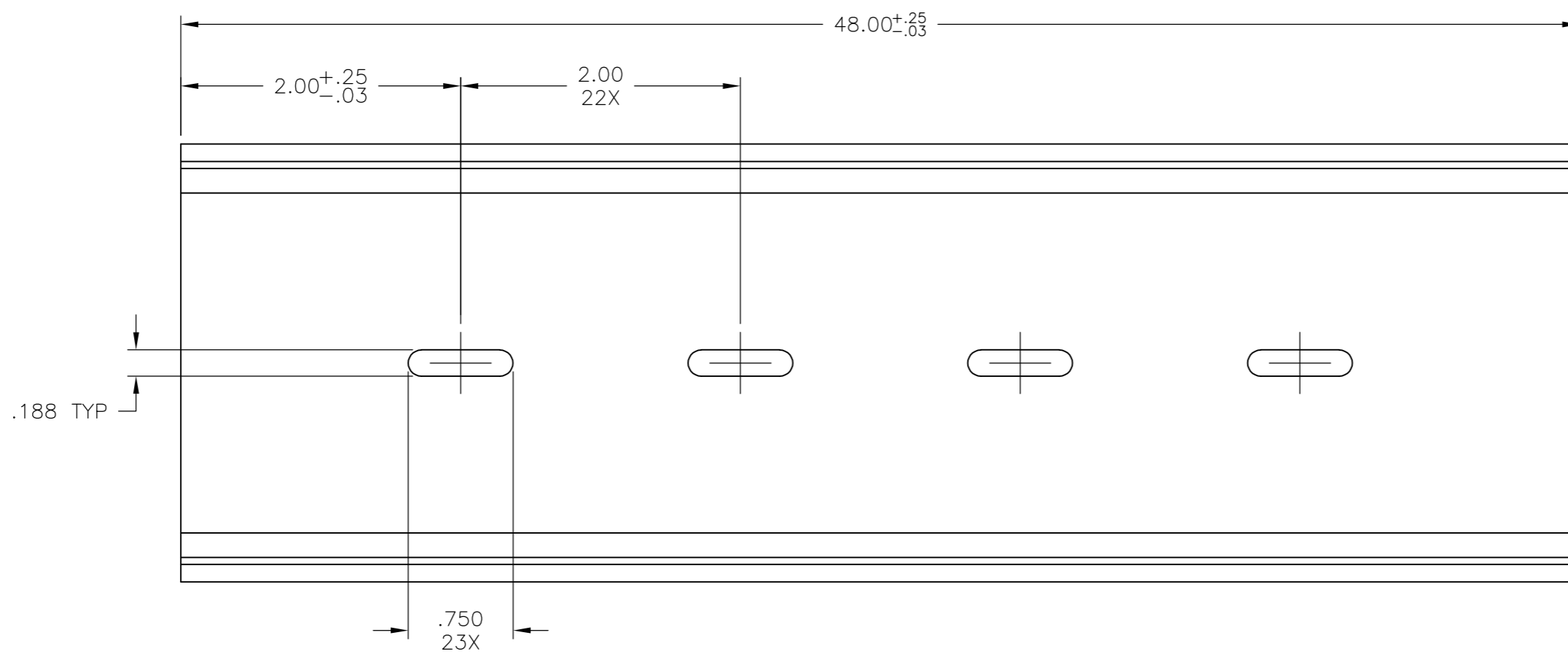


THIS DRAWING IS UNPUBLISHED. RELEASED FOR PUBLICATION  
 © COPYRIGHT - By - ALL RIGHTS RESERVED.

LOC		DIST		REVISIONS			
P	LTR	DESCRIPTION		DATE	DWN	APVD	
	A1	REVISED PER ECO-11-004917		11MAR11	RK	HMR	

1. ALL DIMENSIONS ARE ±.015 UNLESS OTHERWISE NOTED.
2. MATERIAL: RIGID PVC, COLOR: GRAY.
3. RECOMMENDED PC BOARD WIDTH 3.00".



7-1437685-6  
 PART NUMBER

THIS DRAWING IS A CONTROLLED DOCUMENT.		DWN	06APR2009			
		CHK	S SCHLEGEL 4/6/09			
		APVD	C RICHARD 4/6/09			
		PRODUCT SPEC	C RICHARD			
DIMENSIONS: INCHES		TOLERANCES UNLESS OTHERWISE SPECIFIED:		NAME		
		0 PLC ± -		TK2-48-AG SNAPTRACK		
		1 PLC ± -		-		
		2 PLC ± -		-		
		3 PLC ± -		-		
		4 PLC ± -		-		
MATERIAL		FINISH		SIZE	CAGE CODE	DRAWING NO
-		-		A2	00779	C=7-1437685-6
CUSTOMER DRAWING				SCALE	SHEET	REV
				NTS	1 of 1	A1