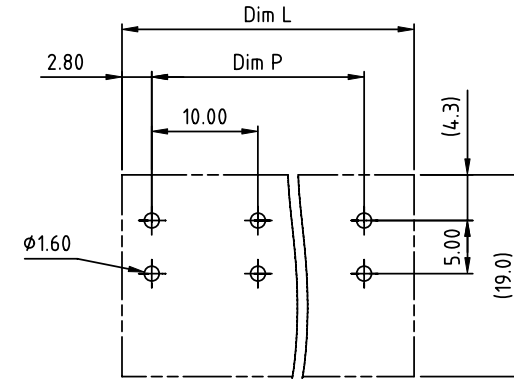
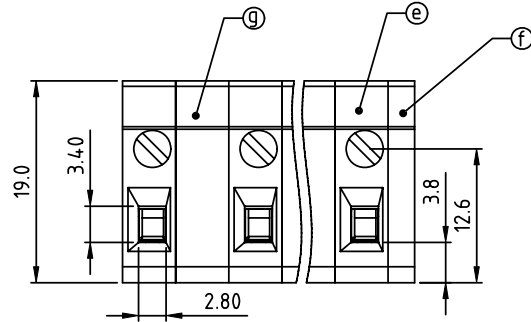


PRODUCT NUMBER	PITCH
TRxx15x000J0G	10.00mm



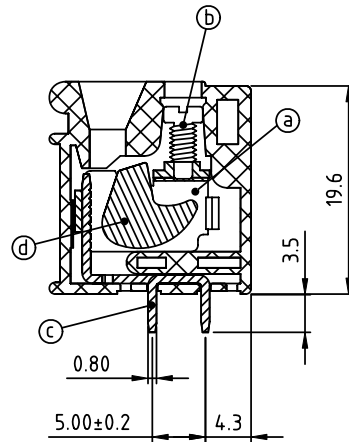
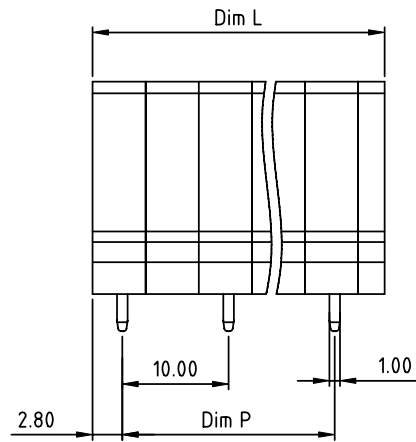
RECOMMENDED P.C.B LAYOUT
TOP VIEW

Material:

- Item (d) Terminal body (metal housing): steel stamping Zinc plating
- Item (e) Terminal screw: Steel Zinc plating "-" slot type
- Item (c) Contacts: Brass, Tin plated
- Item (g) Firm wire chunk: steel Zinc plating
- Item (e) Terminal (housing): Thermoplastic (UL94V-0)
- Item (f) Terminal cover: Thermoplastic (UL94V-0)
- Item (g) padding block: Thermoplastic (UL94V-0)

Electrical cULus

- Voltage rating: 300VAC
- Current rating: 20A
- Wire range:
- Solid wire (AWG): 12-22
- Stranded wire (AWG): 12-22
- Torque (Lb-In): 2.4
- Screw: M2.5
- Wire strip length: 10-11mm
- Withstanding Voltage: 1.6KV
- Operating temperature: -40°C to +115°C
- Soldering temperature: 260°C ± 5°C / 5 Sec
- Safety Approval:



PART NO.: TR xx 1 5 x 0 00J0 G

N=Number of Poles
Dim L=Nx10.0-2.5
Dim P=(N-1)x10.0

Poles	2P-4P	5P-8P	9P-12P
Dim L	±0.20	±0.30	±0.40
Dim P	±0.20	±0.30	±0.40

End stackable	No. of poles	Body Color	RoHS compliant (lead<4%) In copper Alloy
02	2 poles	0 Black (RAL9005)	
03	3 poles	2 Red (RAL3001/D)	
...	...	3 Orange (RAL2011/P)	
12	12 poles	4 Yellow (RAL1018/A)	
		5 Green (RAL6018/T)	
		6 Blue (RAL5015/A)	
		8 Grey (RAL7035/D)	
		9 White (RAL1102)	
		C Green (RAL6018/U)	

mat'l. code		surface ASME Y14.5	tolerance ASME Y14.5	projection	product family
ltr ecn no dr date		tolerances unless otherwise specified			TERMINAL BLOCK
		angles	X.±0.5	MM	title
		X*±1°	X.X±0.3	scale	TERMINAL BLOCK
		dr	EVIN ZHONG 040114		WIRE PROTECTOR, 90D WIRE INLET
		enrg	EVIN ZHONG 040114		dwg no
		chr	HANKE FENG 040114		sheet 1 of 1
		appd	SHI JUN 040114		size
sheet index	revision sheet	A			TRxx15x000J0G A4
		1			type CUSTOMER Drawing