

THIS DRAWING IS UNPUBLISHED.

RELEASED FOR PUBLICATION

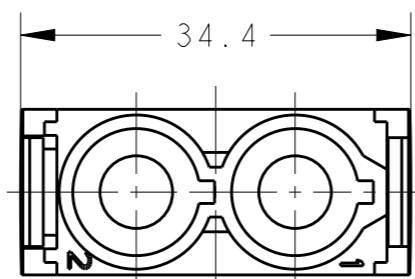
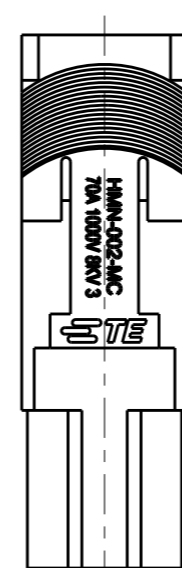
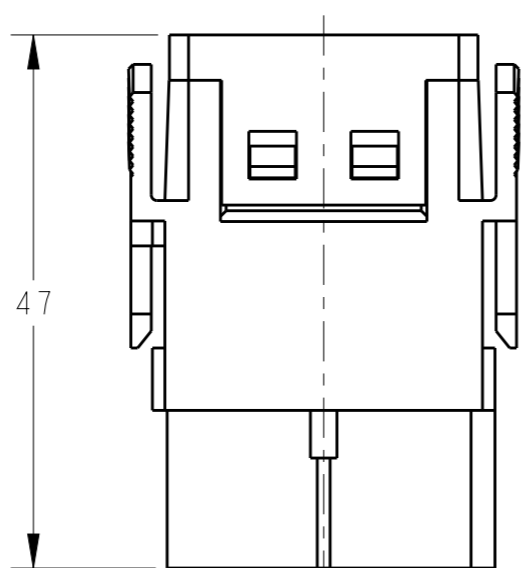
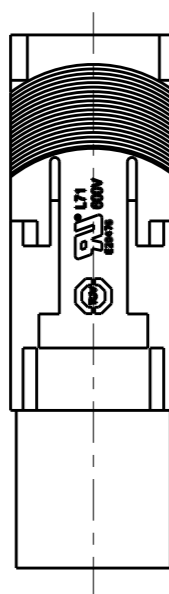
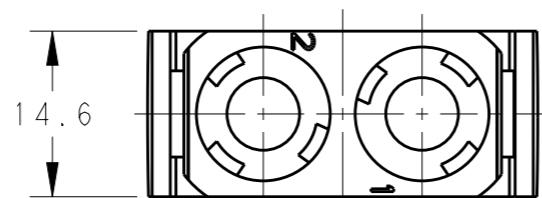
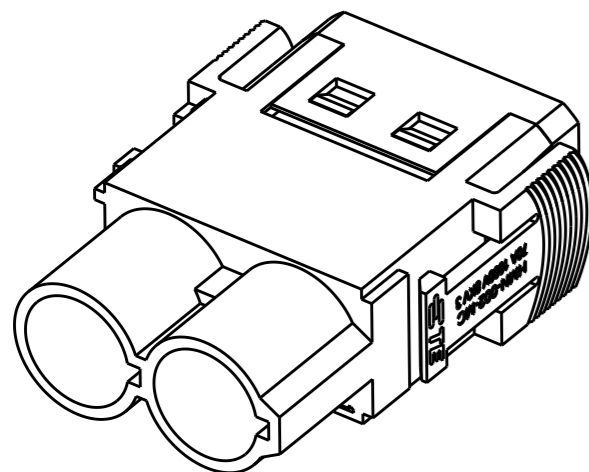
20

© COPYRIGHT 20 BY -

ALL RIGHTS RESERVED.

REVISIONS

P	LTR	DESCRIPTION	DATE	DWN	APVD
	A	INITIAL	17APR2015	DW	CW
	B	ECR-15-018270	09DEC2015	DW	CW
	B1	ECR-16-018198	27DEC2016	QY	CW



TYPE-1:T2111020101-000 TE LOGO
 类型-1:T2111020101-000 TE LOGO

NOTES:

- TECHNICAL CHARACTERISTICS:
 INSULATION MATERIAL: PC
 RATED VOLTAGE: 1000V
 RATED CURRENT: 70A
 INSULATION RESISTANCE: $\geq 400M\Omega$
 RATED IMPULSE VOLTAGE: 8KV
 POLLUTION DEGREE: 3
 FLAMMABILITY: UL94V-0
 MATING CYCLES: 500 CYCLES
 WIRE RANGE: 10~25 mm²
 CONTACT TYPE: CRIMP CONTACT
- CONTACT NEED TO BE ORDERED SEPARATELY.
 (ORDER No. REFER TO DRAWING:T2400001XX0000)

注释:

- 技术参数:
 绝缘材料: PC
 额定电压: 1000V
 额定电流: 70A
 绝缘电阻: $\geq 400M\Omega$
 额定脉冲电压: 8KV
 污染等级: 3
 阻燃等级: UL94V-0
 插拔次数: 500次
 接线范围: 10~25 mm²
 接线类型: 冷压接
- 端子需要单独订购。
 (订货号参考图面: T2400001XX0000)

THIS DRAWING IS A CONTROLLED DOCUMENT.

DIMENSIONS:		TOLERANCES UNLESS OTHERWISE SPECIFIED:	
mm		0 PLC	±-
		1 PLC	±-
		2 PLC	±-
		3 PLC	±-
		4 PLC	±-
MATERIAL		FINISH	±-
-		-	-

DWN	17APR2015
David Wang	
CHK	17APR2015
Chris Wang	
APVD	17APR2015
Xiang Xu	
PRODUCT SPEC	108-137059
APPLICATION SPEC	114-137059
WEIGHT	-
Customer Drawing	



NAME		HMN-002-MC	
SIZE	CAGE CODE	DRAWING NO	RESTRICTED TO
A3	00779	T2111020101000	-
SCALE		SHEET	REV
3:2		1 OF 2	B1

4

3

2

1

THIS DRAWING IS UNPUBLISHED.

RELEASED FOR PUBLICATION

20

© COPYRIGHT 20

BY -

ALL RIGHTS RESERVED.

REVISIONS

P	LTR	DESCRIPTION	DATE	DWN	APVD
-	-	SEE SHEET 1	-	-	-

TYPE-2:T2111020101-001 NO LOGO
 类型-2:T2111020101-001 无LOGO

NOTES:
 SEE SHEET 1
 注释:
 见页 1

ALL DIMENSIONS ARE SAME AS TYPE 1,
 EXCEPT THOSE DEFINED IN THIS TYPE.
 除了在本类型中定义的尺寸外,其它尺寸同类型 1

T2111020101-001	HMN-002-MC	HMN-002 MALE MODULE INSERT, CRIMPING, NO LOGO HMN-002冷压型模块公插, 无LOGO	TYPE-2 类型-2
T2111020101-000	HMN-002-MC	HMN-002 MALE MODULE INSERT, CRIMPING HMN-002冷压型模块公插	TYPE-1 类型-1
PART NUMBER 料号	PART DESCRIPTION 描述		TYPE 类型

THIS DRAWING IS A CONTROLLED DOCUMENT.

DWN 17APR2015

David Wang

CHK 17APR2015

Chris Wang

APVD 17APR2015

Xiang Xu

PRODUCT SPEC

108-137059

APPLICATION SPEC

114-137059

WEIGHT

-

Customer Drawing

TE Connectivity

NAME
HMN-002-MC

SIZE CAGE CODE DRAWING NO RESTRICTED TO

A300779 © T2111020101000 -

SCALE 3:2 SHEET 2 OF 2 REV B1

DIMENSIONS:

mm

TOLERANCES UNLESS OTHERWISE SPECIFIED:

0 PLC	±-
1 PLC	±-
2 PLC	±-
3 PLC	±-
4 PLC	±-
ANGLES	±-

MATERIAL

-

FINISH

-

1470-19 (3/13)