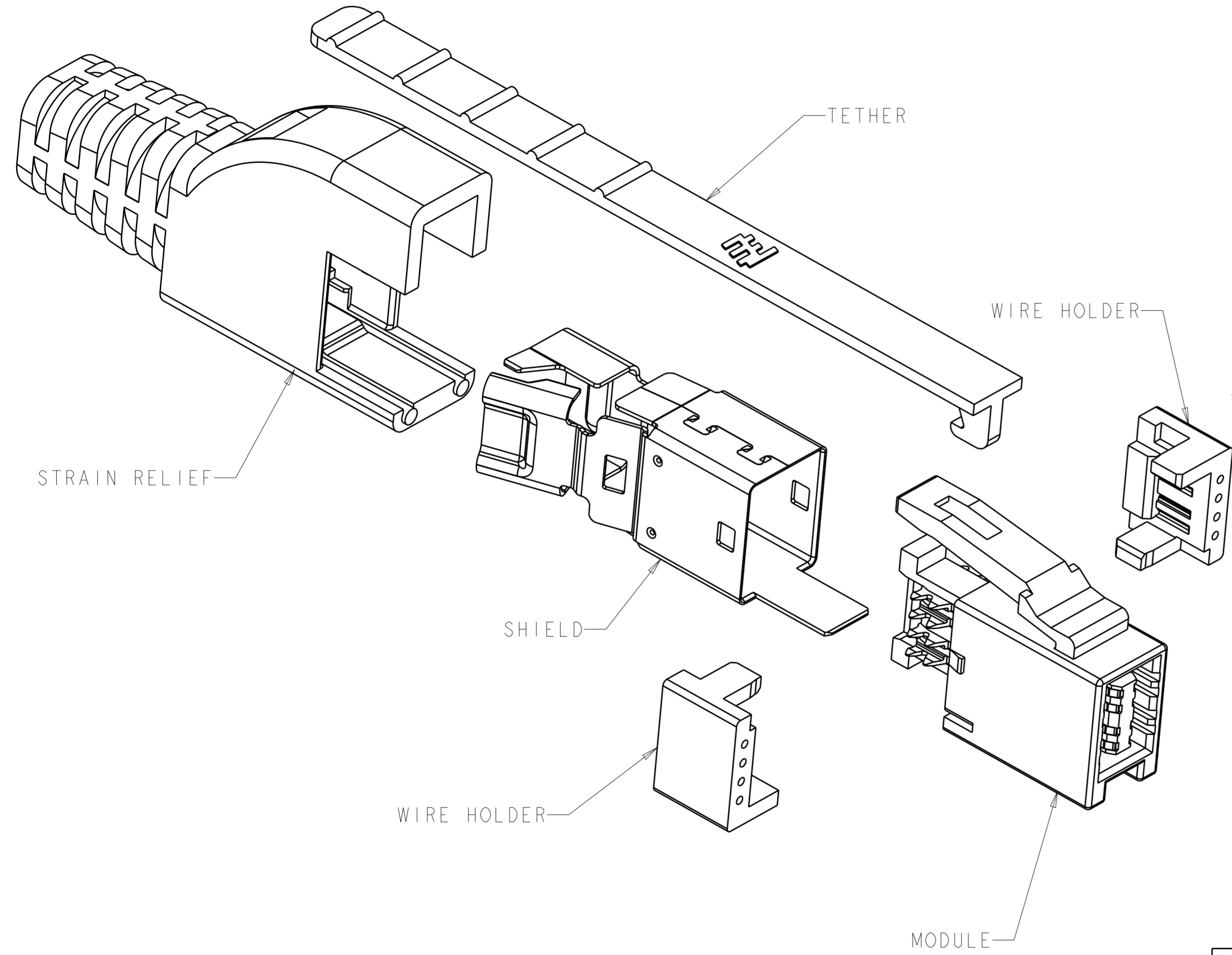


THIS DRAWING IS UNPUBLISHED. RELEASED FOR PUBLICATION 20  
 © COPYRIGHT 20 BY - ALL RIGHTS RESERVED.

REVISIONS				
P	LTR	DESCRIPTION	DATE	APVD
	A	INITIAL RELEASE	22MAR2016	LL SH



- 1. MATERIAL:  
 MODULE HOUSING AND COVERS: POLYCARBONATE, CLEAR.  
 MODULE CONTACTS: BRASS WITH 0.076µm MIN GOLD OVER 0.68µm PALLADIUM-NICKEL ON MATING INTERFACE OVER 1.27µm MIN NICKEL.  
 SHIELD: STAINLESS STEEL, PASSIVATE.  
 STRAIN RELIEF: ELASTOMER POLYOLEFIN.  
 LIGHTPIPE: POLYCARBONATE, CLEAR.  
 TETHER: NYLON 6/6.
- 2. PRODUCT FOR USE WITH QUABBIN CABLE P/N 5400 OR OTHER CAT5e QUALIFIED CABLE WITH THE FOLLOWING MECHANICAL CONSTRAINTS:  
 CABLE ONLY WITH FOIL (FTP)  
 CENTER CONDUCTOR- 26 AWG STRANDED  
 PRIMARY INSULATION DIAMETER 0.89 TO 0.99mm  
 MAX JACKET O.D. - 5.60MM
- 3. REFER TO APPLICATION SPECIFICATION 114-13235 FOR COMPLETE ASSEMBLY INSTRUCTIONS
- 4. PRODUCT TO BE TERMINATED USING HAND TOOL P/N 2031734-1
- 5. BULK PACKAGING

5	2170185-1	2170185-2
1	1	2170185-1
QTY PER KIT	MATERIAL	PART NUMBER

THIS DRAWING IS A CONTROLLED DOCUMENT.		DWN 24NOV2011 DAVID SHEN	<b>STE</b> TE Connectivity	
		CHK 24NOV2011 ALEX SHOAL		
		APVD 24NOV2011 MANQIAN WANG	NAME SHIELDED PLUG KIT RJ POINT FIVE	
DIMENSIONS: mm		PRODUCT SPEC 108-60097	SIZE CAGE CODE DRAWING NO A200779 C-2170185	
TOLERANCES UNLESS OTHERWISE SPECIFIED: 0 PLC ± 1 PLC ± 2 PLC ± 3 PLC ± 4 PLC ± ANGLES ± FINISH		APPLICATION SPEC 114-13235	RESTRICTED TO -	
MATERIAL		WEIGHT -	SCALE 1:1 SHEET 1 OF 2 REV A	
		CUSTOMER DRAWING		

THIS DRAWING IS UNPUBLISHED. RELEASED FOR PUBLICATION 20  
 © COPYRIGHT 20 BY - ALL RIGHTS RESERVED.

REVISIONS				
P	LTR	DESCRIPTION	DATE	APVD
-	-	SEE SHEET 1	-	-

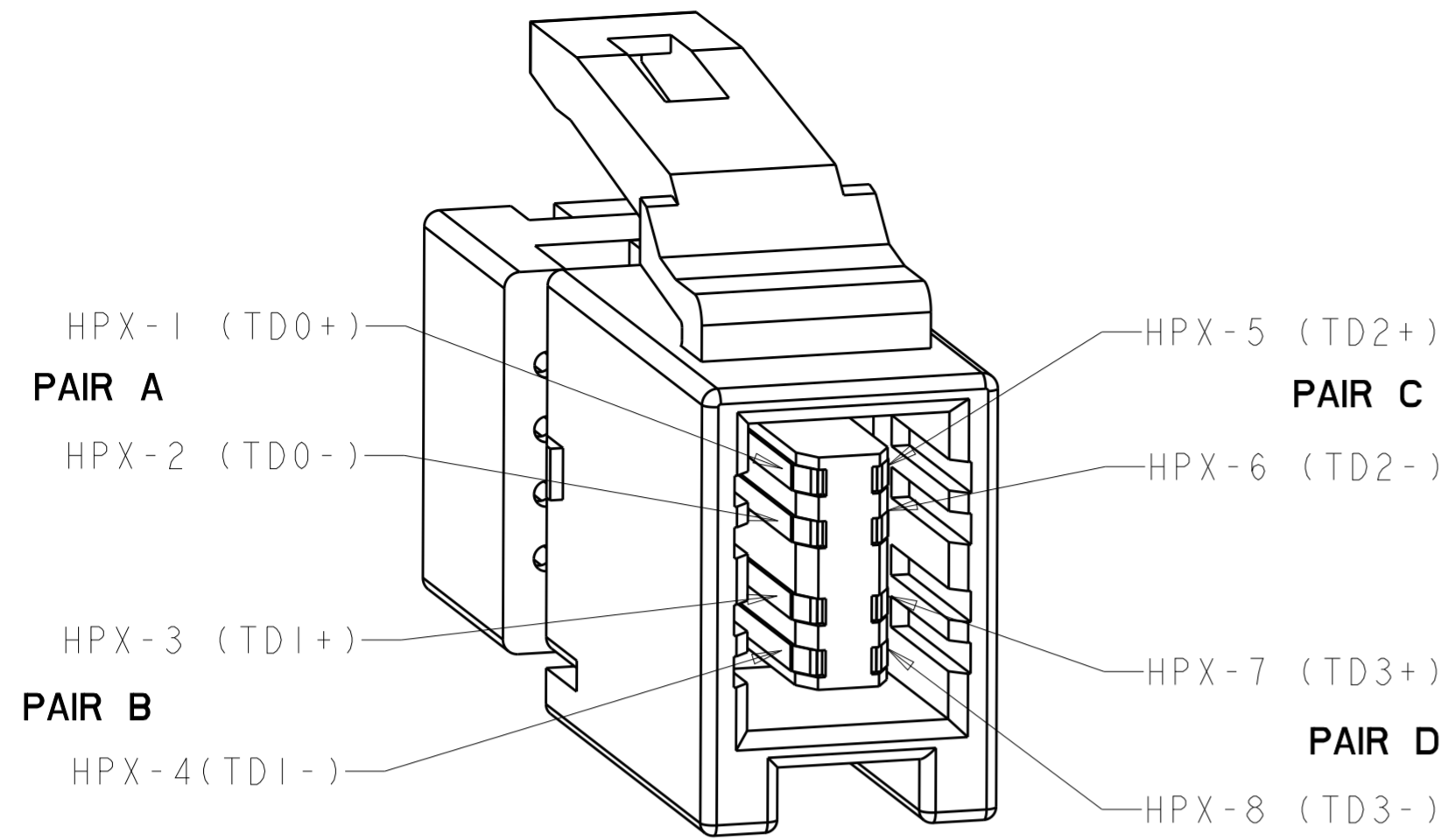


FIGURE 1  
 SCALE 8:1

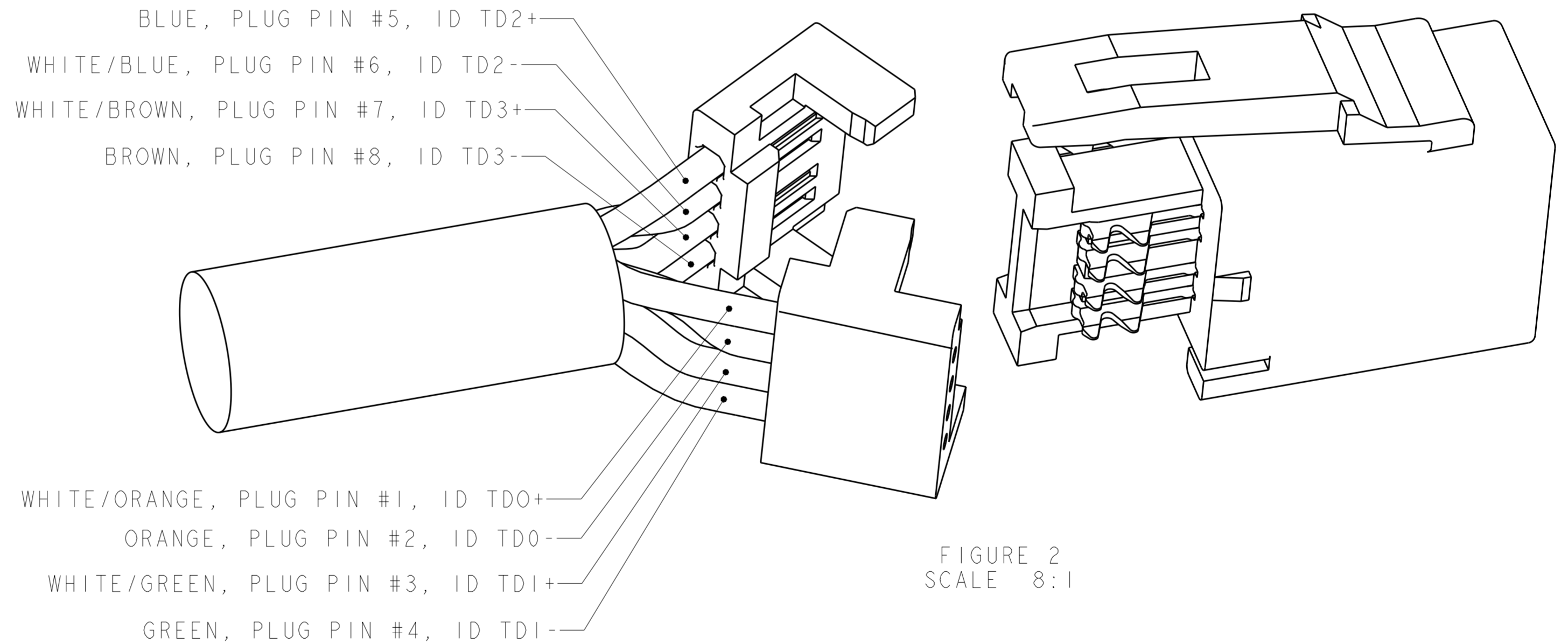


FIGURE 2  
 SCALE 8:1

THIS DRAWING IS A CONTROLLED DOCUMENT.		DWN 24NOV2011 DAVID SHEN	TE Connectivity	
DIMENSIONS: mm		CHK 24NOV2011 ALEX SHOAL		
TOLERANCES UNLESS OTHERWISE SPECIFIED:		APVD 24NOV2011 MANLIAN WANG	NAME SHIELDED PLUG KIT RJ POINT FIVE	
0 PLC ±	1 PLC ±	PRODUCT SPEC 108-60097	SIZE	CAGE CODE
2 PLC ±	3 PLC ±	APPLICATION SPEC 114-13235	A200779	DRAWING NO C-2170185
4 PLC ±	ANGLES ±	WEIGHT	RESTRICTED TO	
FINISH		CUSTOMER DRAWING	SCALE 1:1	SHEET 2 OF 2