

IB IL 24 SEG


Order No.: 2726324



<http://eshop.phoenixcontact.de/phoenix/treeViewClick.do?UID=2726324>

Inline segment terminal, without accessories, 24 V DC, without fuse



Commercial data	
GTIN (EAN)	 4 017918 168162
sales group	K417
Pack	1 pcs.
Customs tariff	85389091
Catalog page information	Page 60 (AX-2007)

Product notes

WEEE/RoHS-compliant since:
11/10/2008



<http://www.download.phoenixcontact.com>
Please note that the data given here has been taken from the online catalog. For comprehensive information and data, please refer to the user documentation. The General Terms and Conditions of Use apply to Internet downloads.

Product description

The power and segment terminals supply the Inline station with power.

The power terminal block supplies power to the I/O circuit. This supply input allows electrical isolation from the previous voltage group.

The segment terminal makes it possible to group any number of consecutive terminals into separate segments within an Inline station.

Power and segment terminals are available both with or without integrated fusing.

The Inline terminals can be labeled using hinged labeling fields. The fields have insert cards that can be labeled individually to suit the application. Additionally, there is the proven ZBFM-6... Zack strip for labeling the terminal points.

Technical data

Interfaces

Type of connection	Inline potential distributor
Interface	Supply voltage

Power supply

I/O voltage	24 V DC
Peripherals voltage range	19.2 V DC ... 30 V DC
Max. current consumption	6 A (8 A)
Fuse	SI 5 x 20 6, 300 AT (in scope of delivery)

General data

Type of protection	Overload protection
Protective circuit/component	Fuse
Weight	42 g
Number of connectors	1
Width	12.2 mm
Height	119.8 mm
Depth	71.5 mm

Inline potential routing

Current consumption from U_M	8 A (nominal value)
Segment supply voltage U_s	24 V DC -15% / +20% (in acc. with EN 61131-2)
Power supply at U_s	8 A (nominal value)

Certificates / Approvals



Certification	CUL, GOST, UL
Certification Ex:	CUL-EX, UL-EX LIS

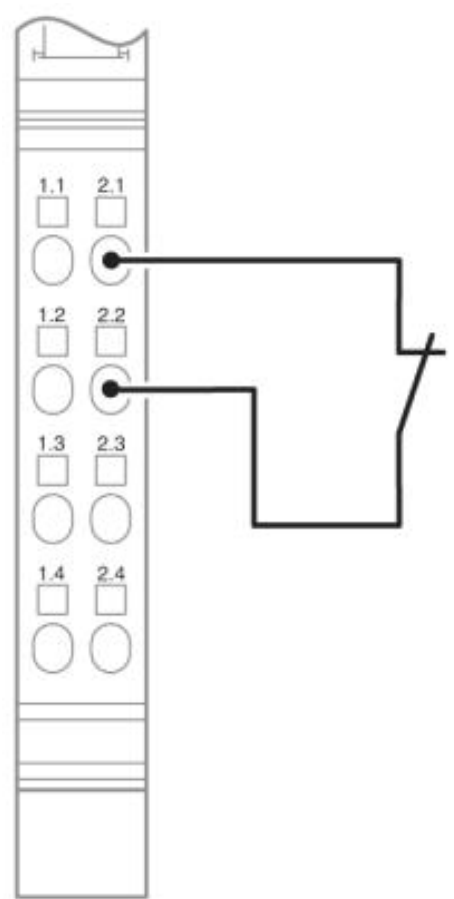
Accessories

Item	Designation	Description
Marking		
2727501	IB IL FIELD 2	Labeling field, width: 12.2 mm

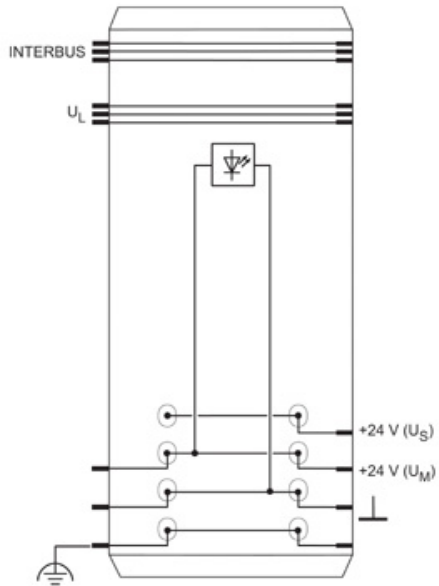
Plug/Adapter		
2727462	IB IL SCN-PWR IN	Connector, for Inline power and segment terminal blocks
2727637	IB IL SCN-PWR IN-CP	Connector, colored, for Inline power and segment terminal blocks

Diagrams/Drawings

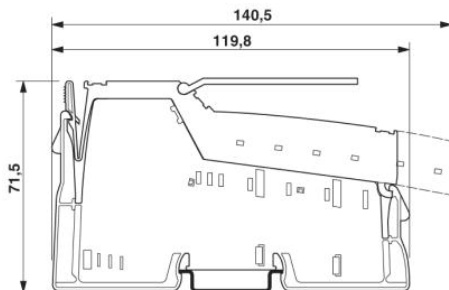
Connection diagram



Block diagram



Dimensioned drawing



Address

PHOENIX CONTACT Inc., USA
586 Fulling Mill Road
Middletown, PA 17057, USA
Phone (800) 888-7388
Fax (717) 944-1625
<http://www.phoenixcon.com>



© 2011 Phoenix Contact
Technical modifications reserved;