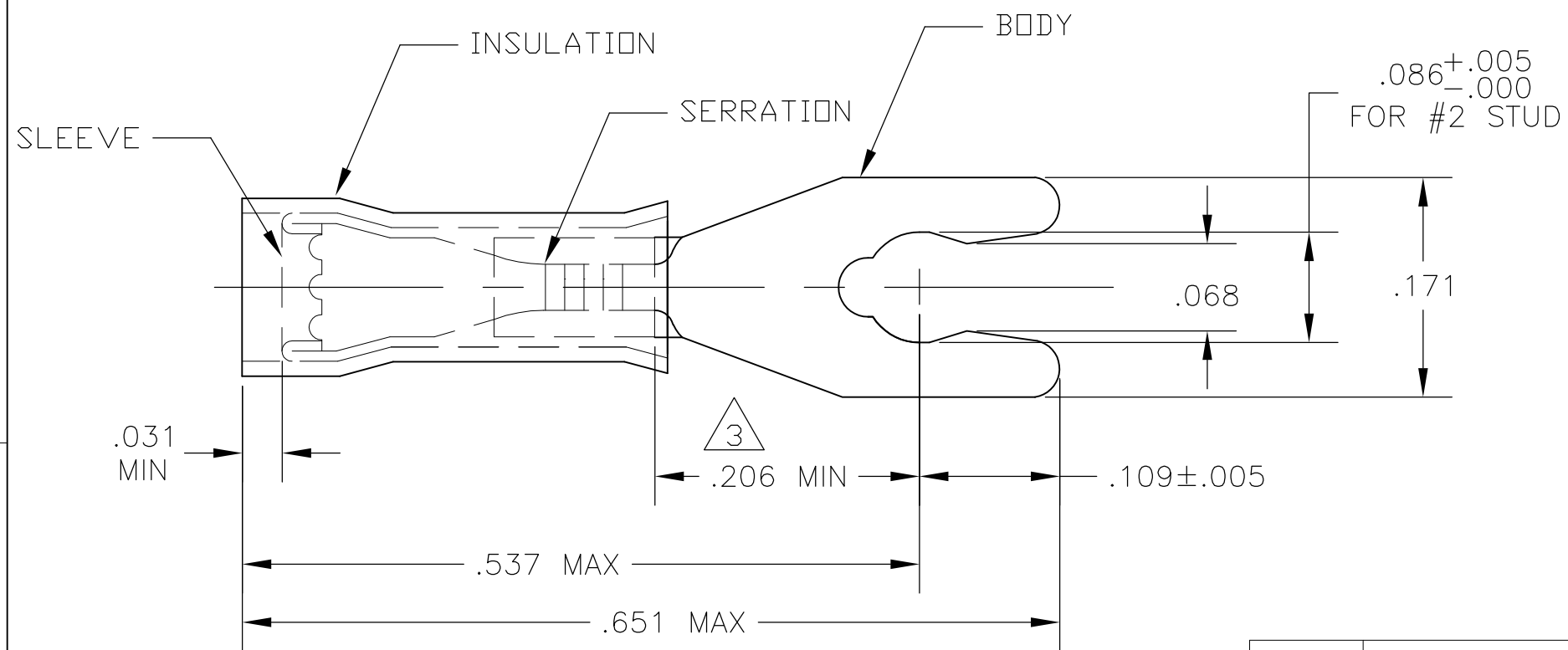


THIS DRAWING IS UNPUBLISHED. RELEASED FOR PUBLICATION
 © COPYRIGHT BY TYCO ELECTRONICS CORPORATION. ALL INTERNATIONAL RIGHTS RESERVED.

| LOC | DIST | REVISIONS | | | | | |
|-----|------|-----------|-----|---------------------------------|---------|-----|------|
| G | 14 | P | LTR | DESCRIPTION | DATE | DWN | APVD |
| | | G | | REV & REDRAWN PER ECR 10-005247 | 09MAR10 | JR | TM |

- 1 FOR .050 TO .082 WIRE INSULATION DIA
- 2 TONGUE MATERIAL THK = .018±.002
- △3 APPLIES FROM THE METAL EDGE OF THE BARREL TO THE CENTER OF THE STUD



| 100 | LOOSE PC, BOX | BODY: PHOS BRONZE PER ASTM-B103 TIN PLATE PER ASTM-B545 SLEEVE: COPPER PER ASTM-B152 TIN PLATE PER ASTM-B545 INSULATION: NYLON PER ASTM-D4066 TYPE 1, COLOR: YELLOW | 8-52921-1 |
|-------|---------------|--|-----------|
| 5,000 | 52921 ON TAPE | | 52921-1 |
| 1 | WIRE TERMINAL | | 52921 |
| QTY | DESCRIPTION | MATERIAL & FINISH | PART NO |

| | | | | |
|---|--|------------------------------------|--|--------------------|
| THIS DRAWING IS A CONTROLLED DOCUMENT. | | DWN jr_ruth 09MAR10 | Tyco Electronics Corporation Harrisburg, PA 17105-3608 | |
| DIMENSIONS: INCHES | | CHK TOM MICHIELUTTI 09MAR10 | NAME WIRE TERMINAL, PIDG, SPRING SPADE WIRE SIZE: 26-22 | |
| TOLERANCES UNLESS OTHERWISE SPECIFIED: | | APVD TOM MICHIELUTTI 09MAR10 | RESTRICTED TO | |
| 0 PLC ± - 1 PLC ± - 2 PLC ± .008 3 PLC ± - 4 PLC ± - ANGLES ± 5° | | PRODUCT SPEC - | SIZE A3 | CAGE CODE 00779 |
| MATERIAL SEE TABLE | | FINISH SEE TABLE | DRAWING NO G-52921 | SCALE 8:1 |
| CUSTOMER DRAWING | | | SHEET 1 OF 1 | REV G |