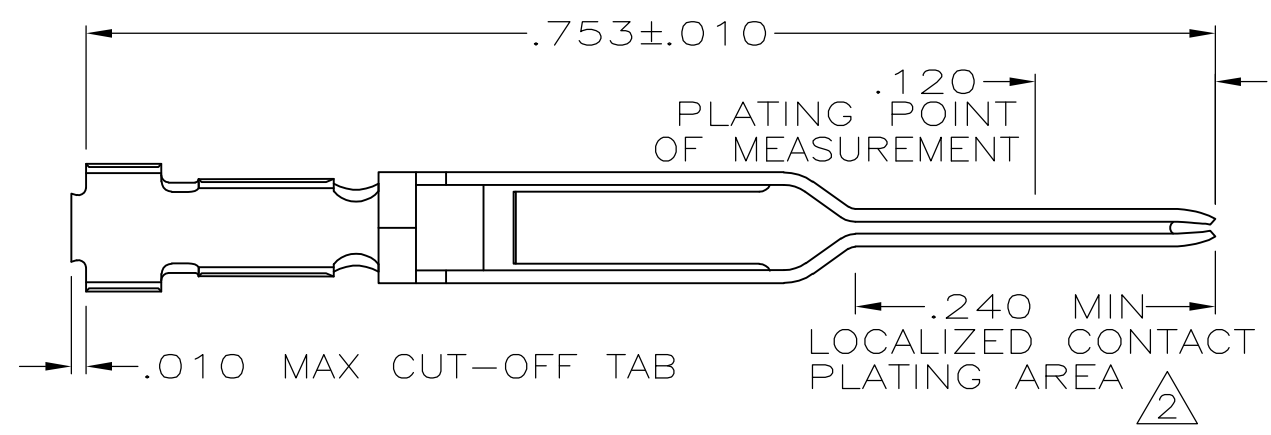


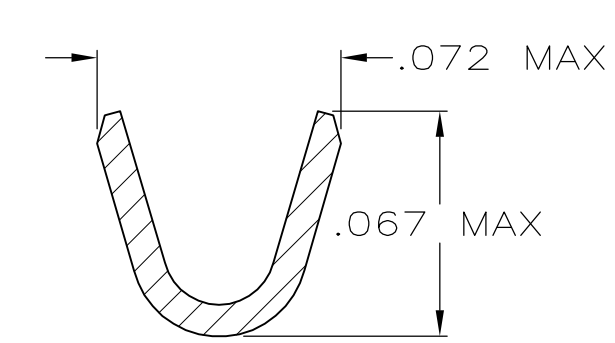
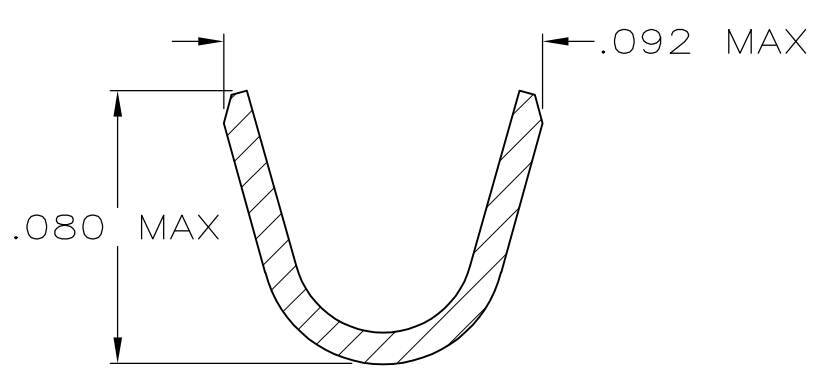
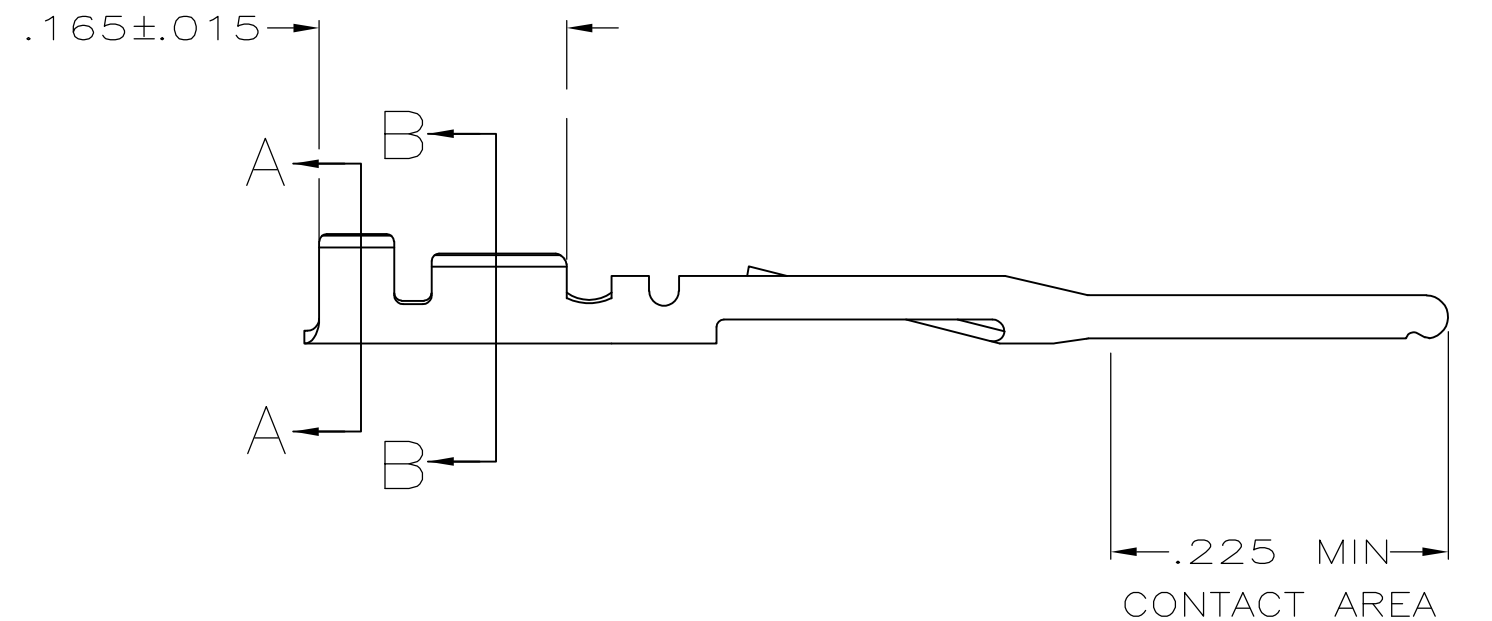
THIS DRAWING IS UNPUBLISHED. RELEASED FOR PUBLICATION
 © COPYRIGHT BY TYCO ELECTRONICS CORPORATION. ALL INTERNATIONAL RIGHTS RESERVED.

LOC	DIST	REVISIONS			
P	LTR	DESCRIPTION	DATE	DWN	APVD
GP	00	E	REVISED PER ECO-09-001588	25JUN2009	CJV CWR



1 FINISH: GOLD FLASH ALL OVER .000015 GOLD ON CONTACT AREA OVER .000050 MIN THK NICKEL OVER ENTIRE CONTACT,
 -OR-
 GOLD FLASH OVER PALLADIUM-NICKEL, .000015 MIN TOTAL THK IN LOCALIZED CONTACT PLATING AREA AND GOLD FLASH ON REMAINDER OVER .000050 MIN NICKEL ON ENTIRE CONTACT.

2. FOR 22-24 AWG WIRE WITH AN INSULATION RANGE OF .040-.056 DIA.



1	86656-2	86658-2
FINISH	REELED PART NO.	PART NO.

THIS DRAWING IS A CONTROLLED DOCUMENT.		DWN J. GALLUCCI 6-27-89	Tyco Electronics Corporation Harrisburg, PA 17105-3608	
DIMENSIONS: INCHES		CHK D.L. ROCKER 6-28-89	NAME CONTACT, PIN, .025 SQ ROUND WIRE, .100 CENTERLINE, FFC	
TOLERANCES UNLESS OTHERWISE SPECIFIED:		APVD G.D. MILLER 6-29-89	PRODUCT SPEC 108-9024	RESTRICTED TO
0 PLC ± -		APPLICATION SPEC 114-16003	SIZE A2	CAGE CODE 00779
1 PLC ± -		WEIGHT -	DRAWING NO C=86658	
2 PLC ± -		CUSTOMER DRAWING	SCALE 8:1	SHEET 1 of 1
3 PLC ± .005				REV E
4 PLC ± -				
ANGLES ± -				
MATERIAL PHOS. BRONZE	FINISH SEE TABLE			

86658